

## Coupling relay - PSR-SCP- 24DC/FSP2/2X1/1X2 - 2986575

Please be informed that the data shown in this PDF Document is generated from our Online Catalog. Please find the complete data in the user's documentation. Our General Terms of Use for Downloads are valid (<http://phoenixcontact.com/download>)




Safe coupling relay for SIL 2 high and low-demand applications, couples digital output signals to the I/O, 2 enabling current paths, 1 alarm contact, module for safe state off applications, integrated test pulse filter, plug-in screw terminal blocks, width: 17.5 mm

### Your advantages

- ✓ Narrow 17.5 mm housing
- ✓ Up to SIL 2 according to EN 61508
- ✓ Forcibly guided contacts according to EN 50205
- ✓ Easy proof test according to IEC 61508 thanks to integrated signal contact
- ✓ Long service life thanks to filtering of controller test pulses
- ✓ Two enabling current paths
- ✓ Couples digital output signals from failsafe controllers to I/O devices (valves, etc.) for electrical isolation and power adaptation



### Key Commercial Data

Packing unit	1 pc
GTIN	 4 046356 553322
GTIN	4046356553322
Weight per Piece (excluding packing)	160.000 g
Custom tariff number	85364190
Country of origin	Germany

### Technical data

#### Note

Utilization restriction	EMC: class A product, see manufacturer's declaration in the download area
-------------------------	---

### Dimensions

# Coupling relay - PSR-SCP- 24DC/FSP2/2X1/1X2 - 2986575

## Technical data

### Dimensions

Width	17.5 mm
Height	99 mm
Depth	114.5 mm

### Ambient conditions

Ambient temperature (operation)	-20 °C ... 55 °C (observe derating)
Ambient temperature (storage/transport)	-40 °C ... 70 °C
Max. permissible relative humidity (operation)	75 % (on average, 85% infrequently, non-condensing)
Max. permissible humidity (storage/transport)	75 % (on average, 85% infrequently, non-condensing)
Maximum altitude	≤ 2000 m (Above sea level)

### Input data

Rated control circuit supply voltage $U_s$	24 V DC -15 % / +10 %
Rated control supply current $I_s$	typ. 55 mA
Input voltage range	20.4 V DC ... 26.4 V DC
Power consumption at $U_s$	typ. 1.32 W
Inrush current	max. 100 mA
Typ. starting time with $U_s$	50 ms
Typical release time	50 ms
Recovery time	1 s
Operating voltage display	1 x yellow LED
Protective circuit	Surge protection Suppressor diode, 33 V (A1 - A2)
Maximum switching frequency	0.5 Hz
Filter time	max. 5 ms (at A1 in the event of voltage dips at $U_s$ )
	max. 2 ms (Test pulse width; high test pulse at A1/A2)
	≥ 100 ms (Test pulse width; high test pulse at A1/A2)
	Test pulse rate = 80 x Test pulse width
	max. 5 ms (Test pulse width; low test pulse at A1/A2)
	≥ 50 ms (Test pulse rate; low test pulse at A1/A2)
	Test pulse rate = 15 x Test pulse width

### Output data

Contact type	2 enabling current paths
	1 confirmation current path
Contact material	AgCuNi, + 0.2 μm Au
Maximum switching voltage	250 V AC/DC (N/O contact / N/C contact, observe the load curve)
Minimum switching voltage	15 V AC/DC (N/O contact / N/C contact)
Limiting continuous current	5 A (N/O contact, pay attention to the derating)
	100 mA (N/C contact)

## Coupling relay - PSR-SCP- 24DC/FSP2/2X1/1X2 - 2986575

### Technical data

#### Output data

Maximum inrush current	5 A (N/O contact)
	100 mA (N/C contact)
Inrush current, minimum	5 mA (N/O contact / N/C contact)
Sq. Total current	50 A <sup>2</sup> (observe derating)
Interrupting rating (ohmic load) max.	120 W (24 V DC, $\tau = 0$ ms, N/C contact: 2.4 W)
	192 W (48 V DC, $\tau = 0$ ms, N/C contact: 4.8 W)
	162 W (60 V DC, $\tau = 0$ ms, N/C contact: 6 W)
	66 W (110 V DC, $\tau = 0$ ms, N/C contact: 11 W)
	60 W (220 V DC, $\tau = 0$ ms, N/C contact: 22 W)
	1250 VA (250 V AC, $\tau = 0$ ms, N/C contact: 25 VA)
Maximum interrupting rating (inductive load)	72 W (24 V DC, $\tau = 40$ ms, N/C contact: 2.4 W)
	43 W (48 V DC, $\tau = 40$ ms, N/C contact: 4.8 W)
	41 W (60 V DC, $\tau = 40$ ms, N/C contact: 6 W)
	35 W (110 V DC, $\tau = 40$ ms, N/C contact: 11 W)
	48 W (220 V DC, $\tau = 40$ ms, N/C contact: 22 W)
Switching capacity	min. 75 mW
Mechanical service life	10x 10 <sup>6</sup> cycles
Output fuse	10 A gL/gG (N/O contact)
	4 A gL/gG (for low-demand applications)
	150 mA Fast-blow (N/C contact)

#### General

Relay type	Electromechanical relay with force-guided contacts in accordance with IEC/EN 61810-3
Nominal operating mode	100% operating factor
Net weight	136.3 g
Mounting position	any
Mounting type	DIN rail mounting
Degree of protection	IP20
Min. degree of protection of inst. location	IP54
Housing material	PBT
Housing color	yellow

#### Connection data

Connection method	Screw connection
pluggable	Yes
Conductor cross section solid	0.2 mm <sup>2</sup> ... 2.5 mm <sup>2</sup>
Conductor cross section flexible	0.2 mm <sup>2</sup> ... 2.5 mm <sup>2</sup>

## Coupling relay - PSR-SCP- 24DC/FSP2/2X1/1X2 - 2986575

### Technical data

#### Connection data

Conductor cross-section AWG	24 ... 12
Stripping length	7 mm
Screw thread	M3

#### Safety-related characteristic data

Stop category in accordance with IEC 60204	0
Designation	IEC 61508 - High demand
Safety Integrity Level (SIL)	2 (max. 10% of the entire SIL; diagnostic coverage (DC) of the control unit at A1/A2 must be $\geq 90\%$ )
Designation	IEC 61508 - Low demand
Safety Integrity Level (SIL)	2 (max. 10% of the entire SIL; diagnostic coverage (DC) of the control unit at A1/A2 must be $\geq 90\%$ )
Designation	EN ISO 13849
Performance level (PL)	c (Diagnostic coverage (DC) of the control unit at A1/A2 must be $\geq 90\%$ )
Category	1 (Diagnostic coverage (DC) of the control unit at A1/A2 must be $\geq 90\%$ )
Designation	EN 62061
Safety Integrity Level Claim Limit (SIL CL)	1 (max. 10% of the entire SIL; diagnostic coverage (DC) of the control unit at A1/A2 must be $\geq 90\%$ )
Designation	EN 50156
Safety Integrity Level (SIL)	2

#### Standards and Regulations

Designation	Air clearances and creepage distances between the power circuits
Standards/regulations	DIN EN 50178/VDE 0160
Rated insulation voltage	250 V AC
Rated surge voltage/insulation	Safe isolation, reinforced insulation 6 kV between the control circuits (A1/A2), (31/32), (13/14, 23/24)
Degree of pollution	2
Overvoltage category	III
Shock	15g
Vibration (operation)	10 Hz ... 150 Hz, 2g
Conformance	CE-compliant

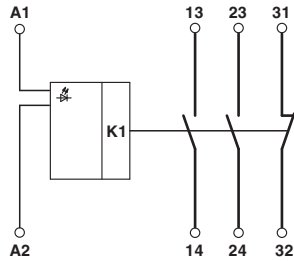
#### Environmental Product Compliance

REACH SVHC	Lead 7439-92-1
China RoHS	Environmentally Friendly Use Period = 50 years
	For details about hazardous substances go to tab "Downloads", Category "Manufacturer's declaration"

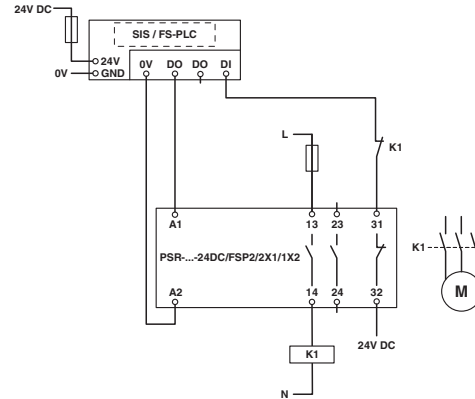
### Drawings

# Coupling relay - PSR-SCP- 24DC/FSP2/2X1/1X2 - 2986575

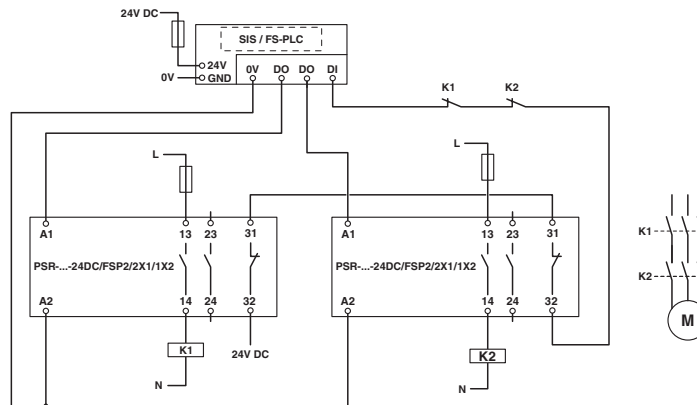
Circuit diagram



Circuit diagram



Circuit diagram



## Classifications

eCl@ss

eCl@ss 10.0.1	27371819
eCl@ss 11.0	27371819
eCl@ss 4.0	40020600
eCl@ss 4.1	40020600
eCl@ss 5.0	27371900
eCl@ss 5.1	27371900
eCl@ss 6.0	27371800
eCl@ss 7.0	27371819
eCl@ss 9.0	27371819

ETIM

ETIM 2.0	EC001449
----------	----------

# Coupling relay - PSR-SCP- 24DC/FSP2/2X1/1X2 - 2986575

## Classifications

### ETIM

ETIM 3.0	EC001449
ETIM 4.0	EC001449
ETIM 6.0	EC001449
ETIM 7.0	EC001449

### UNSPSC

UNSPSC 6.01	30211901
UNSPSC 7.0901	39121501
UNSPSC 11	39121501
UNSPSC 12.01	39121501
UNSPSC 13.2	39121501
UNSPSC 18.0	39122205
UNSPSC 19.0	39122205
UNSPSC 20.0	39122205
UNSPSC 21.0	39122205

## Approvals

### Approvals

#### Approvals

UL Listed / cUL Listed / Functional Safety / EAC / EAC / UL Listed / cUL Listed / Functional Safety / EAC / EAC / DNV GL / DNV GL / Functional Safety

#### Ex Approvals

### Approval details

UL Listed		<a href="http://database.ul.com/cgi-bin/XYV/template/LISEXT/1FRAME/index.htm">http://database.ul.com/cgi-bin/XYV/template/LISEXT/1FRAME/index.htm</a>	FILE E 140324
-----------	---	---	---------------

cUL Listed		<a href="http://database.ul.com/cgi-bin/XYV/template/LISEXT/1FRAME/index.htm">http://database.ul.com/cgi-bin/XYV/template/LISEXT/1FRAME/index.htm</a>	FILE E 140324
------------	---	---	---------------

# Coupling relay - PSR-SCP- 24DC/FSP2/2X1/1X2 - 2986575

## Approvals

Functional Safety			968/EZ 365.07/20
EAC			EAC-Zulassung
EAC			EAC-Zulassung
UL Listed		<a href="http://database.ul.com/cgi-bin/XYV/template/LISEXT/1FRAME/index.htm">http://database.ul.com/cgi-bin/XYV/template/LISEXT/1FRAME/index.htm</a>	FILE E 140324
cUL Listed		<a href="http://database.ul.com/cgi-bin/XYV/template/LISEXT/1FRAME/index.htm">http://database.ul.com/cgi-bin/XYV/template/LISEXT/1FRAME/index.htm</a>	FILE E 140324
Functional Safety			968/EZ 365.07/20
EAC			RU C- DE.A*30.B.01082
EAC			RU C- DE.A*30.B.01082
DNV GL		<a href="https://approvalfinder.dnvgl.com/">https://approvalfinder.dnvgl.com/</a>	TAA00002UC

## Coupling relay - PSR-SCP- 24DC/FSP2/2X1/1X2 - 2986575

### Approvals

DNV GL		<a href="https://approvalfinder.dnvgl.com/">https://approvalfinder.dnvgl.com/</a>	TAA00002UC
--------	---	---	------------

Functional Safety			968/EZ 365.05/20
-------------------	---	--	------------------